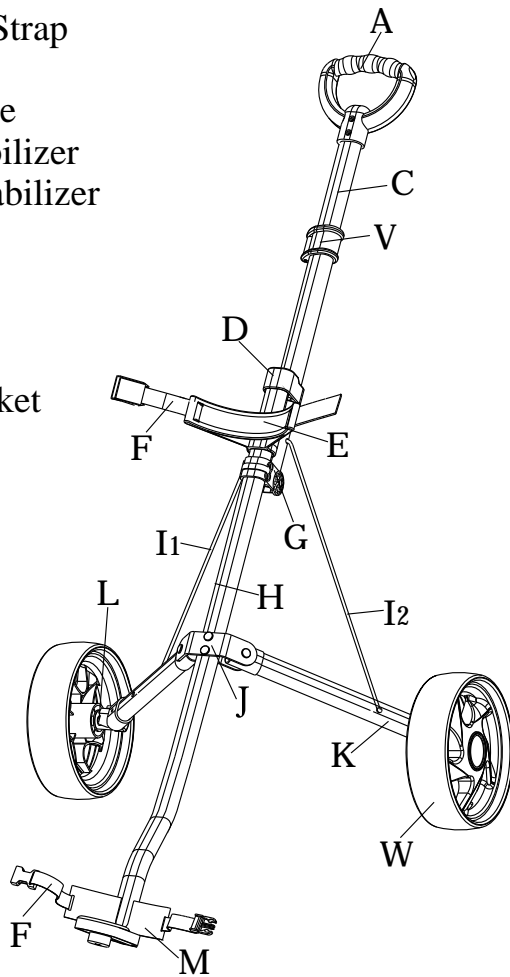


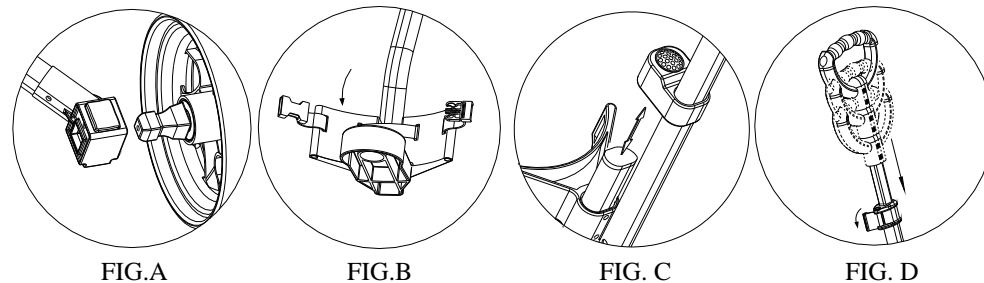
PARTS LIST

GC00052200

- A Hand Grip
- C Handle Frame Tube
- D Sliding Lock
- E Upper Bag Bracket
- F Adjustable Bag Strap
- G Joint
- H Main Frame Tube
- I1 Left Weight Stabilizer
- I2 Right Weight Stabilizer
- J Leg Bracket
- K Leg Frame
- L Wheel Locking Mechanism
- M Lower Bag Bracket
- V Cam Lock
- W Wheel / Tire



ASSEMBLY INSTRUCTION



TO SET UP THE WHEEL

1. Insert wheel axle into the plastic hollow, by pressing the plastic button, which is located at the bottom of each cart leg (FIG. A).
2. Re-press the same button to remove the wheel.

TO SET UP THE GOLF CART

1. Straighten out the golf cart on the ground, then extend the lower bag bracket (FIG. B).
2. Lock up the joint, by sliding down the plastic lock (FIG. C).
3. Pull the handle frame tube (part C) counterclockwise to parallel to the main frame tube (part H), and fix it by the sliding lock (part D).
4. Tighten the golf bag with adjustable straps.

MAINTENANCE

- Reasonable care is required to maintain your golf cart.
- To clean, wipe cart with a soft dry cloth.
- Lubricate moving parts every six months.
- Cart / trolley polish may be used to maintain finish.

Made in China